

250um Fast-dry Matte White PP Synthetic C2S

Product Description

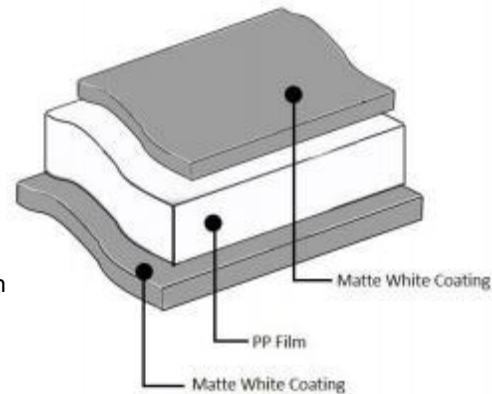
250µm Fast-dry Matte White PP, is a non-transparent, double coating sides PP film for self-adhesive label applications.

Key Features

High whiteness, low roughness and few spots;

Double-sided fast-drying coating, double-sided printing, fast ink absorption
Waterproof, moisture-proof and environment-friendly;

Excellent in stiffness, tear-resistance.



Properties & Typical Values

Property	Typical Values Units		Test Based On
Unit Weight	170±5	g/m ²	Electronic Balance
Thickness	260±5	um	GB/T6672
Width	±2	mm	GB/T6673
Fastness	≥3	Grade	3M810
Surface Tension	≥40	Dyn/cm	Arcotest
Whiteness	95±5	%	GB/T-7974
Dimensional Stability			
MD	≤3	%	GB/T-10003 (120°C/5min)
CD	≤3	%	GB/T-10003 (120°C/5min)
Elastic Modulus			
MD	≥30	MPa	GB/T-1040
CD	≥80	MPa	GB/T-1040
Elongation at Break			
MD	≤200	%	GB/T-1040
CD	≤100	%	GB/T-1040

General

Printing Methods

- Flexo
- Letterpress
- Laser
- Offset

Applications

- Business Card
- Cards
- Tag

Storage & Use

- **Use:** TEMP 20-25°C & RH 50% - 70% will be better; Please re-pack material left to avoid arching, moisture, oxidation and etc.
- **Storage:** TEMP 20-28°C & RH 25% - 60% will be better; keep material in a cool, dry environment and away from heat sources.
- **Warranty:** Any complaint is UNACCEPTABLE after 12 months from the MFG; Any complaint is UNACCEPTABLE if the material is not used up or made into an adhesive end product within 6 month from MFG.

Warranty Disclaimer

- Any information contained in this file, like features, property value and application recommendation all is based on the test results that we believe remain in reliability, but should not be regarded as a guarantee. All material from Shanghai Saillage International Trade Co.,Ltd.("Shanghai Saillage" as below) shall be tested by users in the local and practical environment to confirm whether material meet the requirements. And then reassure and choose the suitable items.
- If anyone, who use or rely on the information above without tests, suffered any loss or damage directly or indirectly, Shanghai Saillage will be free from any liability or any complaints.
- Within the warranty, Shanghai Saillage will accept material return and compensation unconditionally if issues is confirmed after we check, of which amount won't exceed the amount of materials sold. Hereby the guarantee just for the clear and certain statements.
- Shanghai Saillage reserves the right of final interpretation of the file.

Revision Date : March 2th, 2023